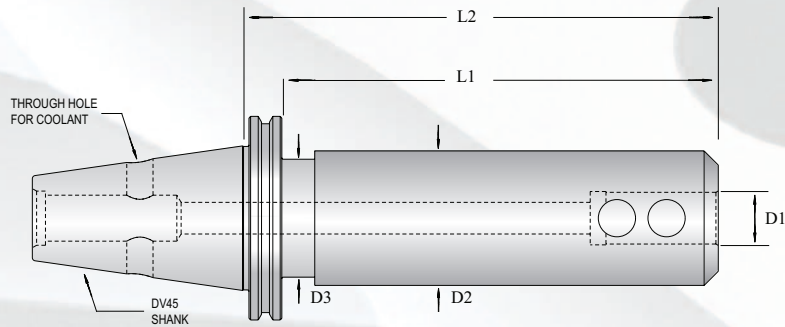




DV45 Adaptor



Code Number	Outer Taper	D1 Inner Ø mm	D2 Ø	D3 Ø	L1	L2	Qty of Clamping Screws	Stk.
AMDV45-EM20-230	DV45	20	52	57	211	230	1	●
AMDV45-EM25-230	DV45	25	65	57	211	230	2	●
AMDV45-EM32-230	DV45	32	78	57	211	230	2	●



Replacement Torx Screws and Drivers

Holder Series	Torx Plus Screws 10 Pieces	Nylon Locking Screws 10 Pieces	Torx Plus Hand Driver	Preset Torque Torx Plus Hand Driver	Replacement Torx Plus Tips	Torx Plus Screw Admissible Tightening Torque (N-cm)
14 & 15	7247-IP7-10	7247N-IP7-10	8IP-7	8IP-7TL	8IP-7B	84
16	72556-IP8-10	72556N-IP8-10	8IP-8	8IP-8TL	8IP-8B	175
17	72567-IP8-10	72567N-IP8-10	8IP-8	8IP-8TL	8IP-8B	175
18	7375-IP9-10	7375N-IP9-10	8IP-9	8IP-9TL	8IP-9B	305
20	7375-IP9-10	7375N-IP9-10	8IP-9	8IP-9TL	8IP-9B	305
22	7375-IP9-10	7375N-IP9-10	8IP-9	8IP-9TL	8IP-9B	305
24	739-IP9-10	739N-IP9-10	8IP-9	8IP-9TL	8IP-9B	305
26	7495-IP15-10	7495N-IP15-10	8IP-15	8IP-15TL	8IP-15B	305
29	7495-IP15-10	7495N-IP15-10	8IP-15	8IP-15TL	8IP-15B	690

T-A® (TW, SS & GEN2) Replacement Torx Screws and Drivers

Holder Series	Torx Plus Screws 10 Pieces	Nylon Locking Screws 10 Pieces	Torx Plus Hand Driver	Preset Torque Torx Plus Hand Driver	Replacement Torx Plus Tips	Torx Plus Screw Admissible Tightening Torque (N-cm)
0 Series	72556-IP8-10	72556N-IP8-10	8IP-8	8IP-8TL	8IP-8B	175
0.5 Series	72567-IP8-10	72567N-IP8-10	8IP-8	8IP-8TL	8IP-8B	175
1 Series	7375-IP9-10	7375N-IP9-10	8IP-9	8IP-9TL	8IP-9B	305
1.5 Series	739-IP9-10	739N-IP9-10	8IP-9	8IP-9TL	8IP-9B	305
2.5 Series	7495-IP15-10	7495N-IP15-10	8IP-15	8IP-15TL	8IP-15TL	690
3 Series	7514-IP20-10	7514N-IP20-10	8IP-20	8IP-20TL	8IP-20TL	1370