



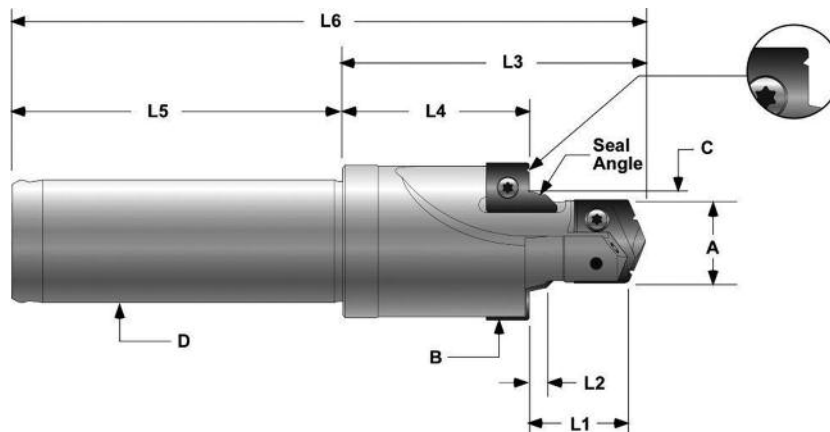
AccuPort 432®

Port Standards: ISO 6149-1:1993, SAE J-2244/1

Metric with identification Ridge
Item Numbers

Tube Dash No.	Port Thread Size	Port Contour Cutter Number	T-A® Drill Item Numbers				Port Form Insert Item Numbers		
			Super Cobalt GEN2 TPA™ (AM200®)	Carbide GEN2 TPA™ (AM200®)	Torx Plus® Screw	Torx Plus® Driver	C5 Carbide (TiAlN)*	Torx Plus® Screw	Torx Plus® Driver
- 4	M12 x 1.5	I6149-04RY-16FM	45YH-10.5	4C1YH-10.5	724-IP7	8IP-7	I6149-04R-C5A	72556-IP8	8IP-8
- 5	M14 x 1.5	I6149-05RZ-16FM	45ZH-12.5	4C1ZH-12.5	7247-IP7	8IP-7	I6149-04R-C5A	72556-IP8	8IP-8
- 6	M16 x 1.5	I6149-06R0-20FM	450H-14.5	4C10H-14.5	72567-IP8	8IP-8	I6149-06R-C5A	72556-IP8	8IP-8
- 8	M18 x 1.5	I6149-08R0-20FM	450H-16.5	4C10H-16.5	72567-IP8	8IP-8	I6149-06R-C5A	72556-IP8	8IP-8
- 10	M22 x 1.5	I6149-10R1-25FM	451H-20.5	4C11H-20.5	7375-IP9	8IP-9	I6149-04R-C5A	72556-IP8	8IP-8
- 12	M27 x 2.0	I6149-12R2-32FM	452H-25	4C12H-25	7495-IP15	8IP-15	I6149-12R-C5A	72556-IP8	8IP-8
- 14	M30 x 2.0	I6149-14R2-32FM	452H-28	4C12H-28	7495-IP15	8IP-15	I6149-14R-C5A	72556-IP8	8IP-8
- 16	M33 x 2.0	I6149-16R2-32FM	452H-31	4C12H-31	7495-IP15	8IP-15	I6149-16R-C5A	7375-IP9	8IP-9
- 20	M42 x 2.0	I6149-20R3-40FM	453H-40	1C53A-40	7514-IP20	8IP-20	I6149-20R-C5A	7375-IP9	8IP-9
- 24	M48 x 2.0	I6149-24R3-40FM	453H-46	1C53A-46	7514-IP20	8IP-20	I6149-24R-C5A	7375-IP9	8IP-9
- 32	M60 x 2.0	I6149-32R4-40FM	454H-58	N/A	7514-IP20	8IP-20	I6149-32R-C5A	7375-IP9	8IP-9

*Non Ridged Port Form inserts available (Contact technical support).



Dimensions

Tube Dash No.	Port Thread Size	Port Contour Cutter Number	Stk.	A	L1	B	Seal Angle	C	L2	L3	L4	D	L5	L6
				Minor Dia.	Minor Dia Length	Spotface Dia. W/ridge		Seal Angle Dia.	Seal Angle Length	Reference Length	Spot face to Shoulder Length	Shank Dia.	Shank Length	OAL
- 4	M12 x 1.5	I6149-04RY-16FM	●	10.5	14.1	24.0	15°	14.0	2.6	38.8	22.2	16.0	41.9	80.7
- 5	M14 x 1.5	I6149-05RZ-16FM	●	12.5	14.1	26.0	15°	15.8	2.6	38.8	21.8	16.0	41.9	80.7
- 6	M16 x 1.5	I6149-06R0-20FM	●	14.5	15.6	28.0	15°	17.8	2.6	47.2	28.3	20.0	41.9	89.1
- 8	M18 x 1.5	I6149-08R0-20FM	●	16.5	17.1	30.0	15°	19.8	2.6	50.3	29.6	20.0	41.9	92.3
- 10	M22 x 1.5	I6149-10R1-25FM	●	20.5	18.2	34.0	15°	23.8	2.6	54.4	31.6	25.0	53.1	107.4
- 12	M27 x 2.0	I6149-12R2-32FM	●	25.0	22.2	40.0	15°	29.4	3.3	67.1	39.4	32.0	57.9	125.0
- 14	M30 x 2.0	I6149-14R2-32FM	●	28.0	22.2	43.0	15°	32.4	3.3	67.1	38.8	32.0	57.9	125.0
- 16	M33 x 2.0	I6149-16R2-32FM	●	31.0	22.2	49.0	15°	35.4	3.3	67.1	38.1	32.0	57.9	125.0
- 20	M42 x 2.0	I6149-20R3-40FM	●	40.0	22.7	60.0	15°	44.4	3.3	77.8	46.4	40.0	70.1	147.9
- 24	M48 x 2.0	I6149-24R3-40FM	●	46.0	25.2	66.1	15°	50.4	3.3	77.8	42.6	40.0	70.1	147.9
- 32	M60 x 2.0	I6149-32R4-40FM	●	58.0	27.7	76.0	15°	62.4	3.3	96.8	56.6	40.0	70.1	166.9

T-A® Drill Inserts available with various coatings and geometries.
AccuPort 432® Port Contour Cutters without identification ridge are available and priced on request.
For tools made to your requirements see page 6 for details

Stk. - Stock Availability.

- Stock Item.
- Stocked in limited quantities, advanced planning is recommended
- ◆ Non-Stocked Standard. Normal delivery 5 to 6 weeks